

4

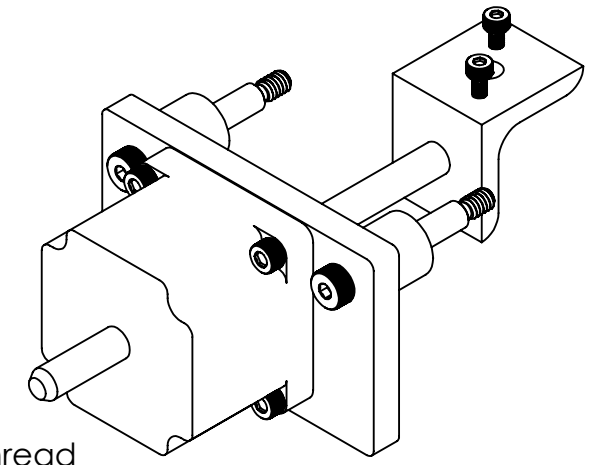
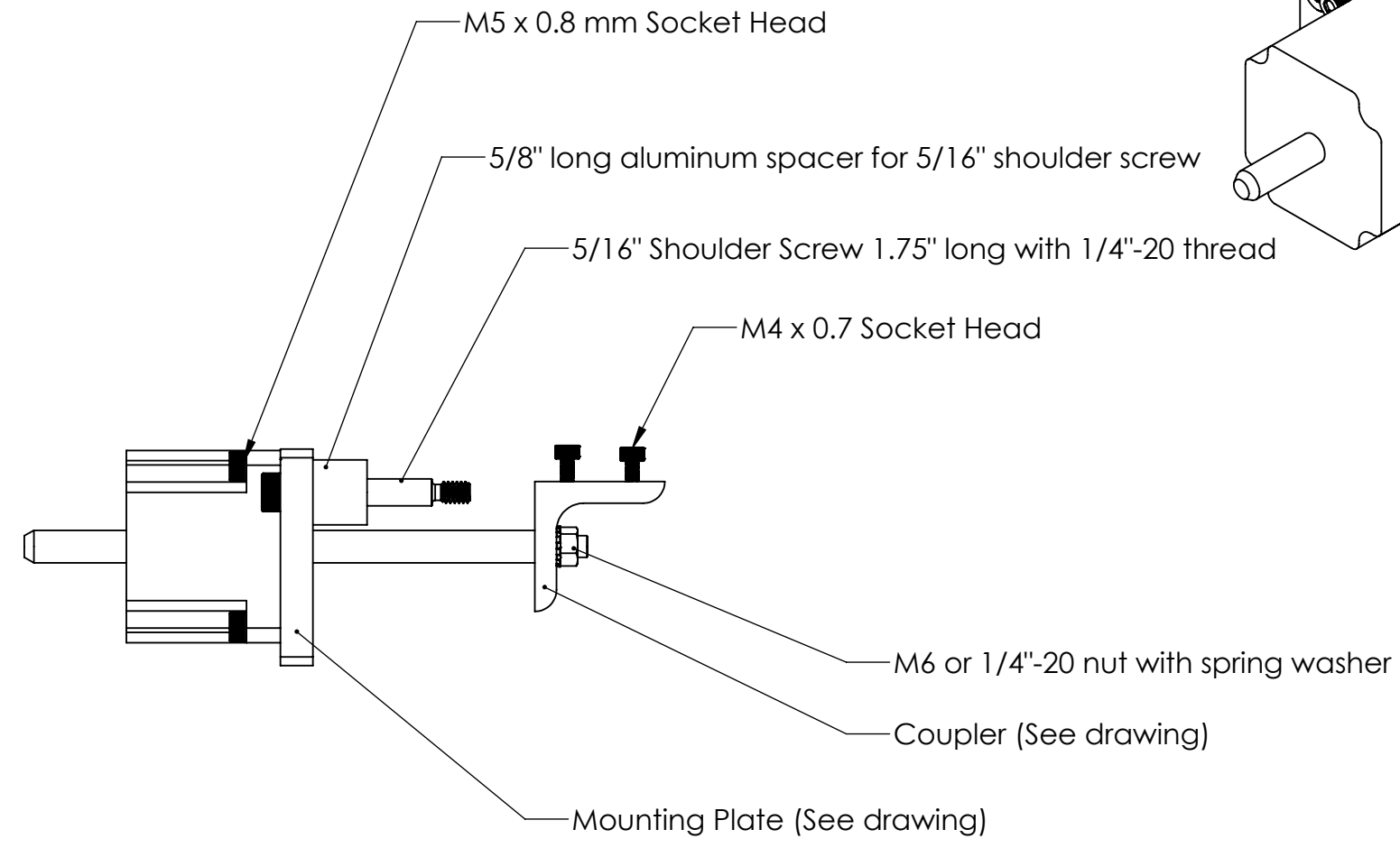
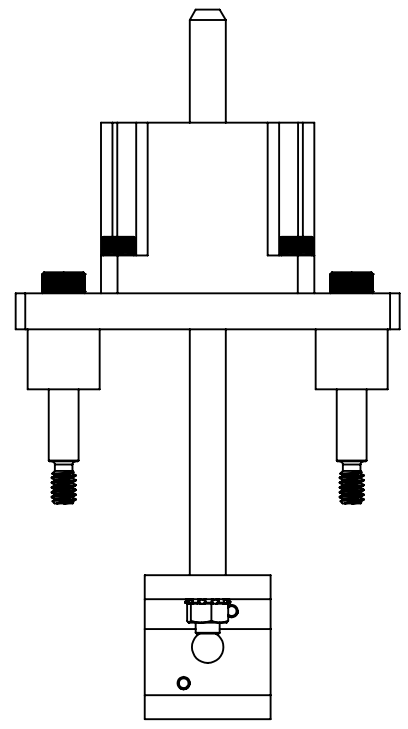
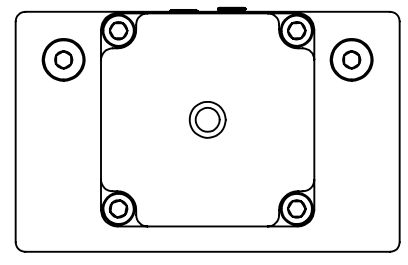
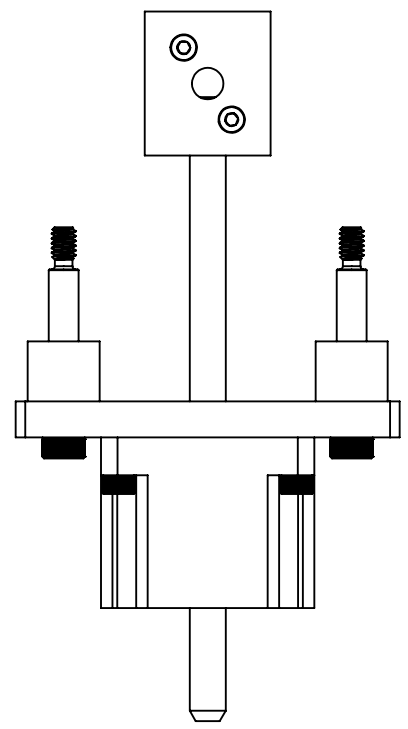
3

2

1

B

B



A

A

**PROPRIETARY AND CONFIDENTIAL**  
 THE INFORMATION CONTAINED IN THIS DRAWING IS THE SOLE PROPERTY OF Roll-2-Roll Technologies LLC. ANY REPRODUCTION IN PART OR AS A WHOLE WITHOUT THE WRITTEN PERMISSION OF Roll-2-Roll Technologies LLC IS PROHIBITED.

		UNLESS OTHERWISE SPECIFIED:	NAME	DATE
		ALL DIMENSIONS ARE IN MM	DRAWN	AS
		TOLERANCES:	CHECKED	9/23/21
		X + 1	ENG APPR.	
		X.X + 0.50	MFG APPR.	
		X.XX + 0.050	Q.A.	
		X.XXX + 0.010	COMMENTS:	
		DEBURR & BREAK ALL SHARP EDGES		
		INTERPRET GEOMETRIC TOLERANCING PER:		
NEXT ASSY	USED ON	MATERIAL		
		Aluminum, 6061-T6		
		FINISH		
APPLICATION		DO NOT SCALE DRAWING		

<b>Roll-2-Roll Technologies LLC</b>		
TITLE:		
<b>North American Upgrade Kit</b>		
SIZE	DWG. NO.	REV
<b>B</b>	Upgrade-Kit-Assembly	
SCALE: 1:2	WEIGHT:	SHEET 1 OF 3

4

3

2

1