

8

7

6

5

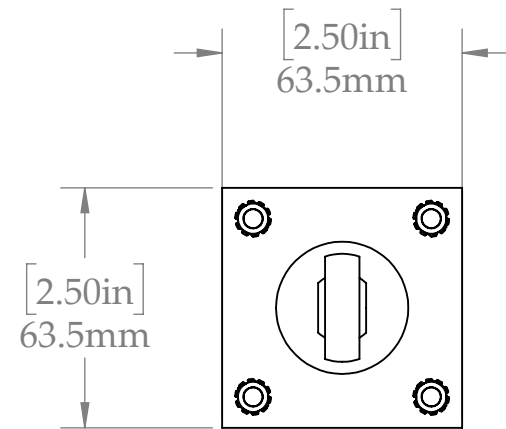
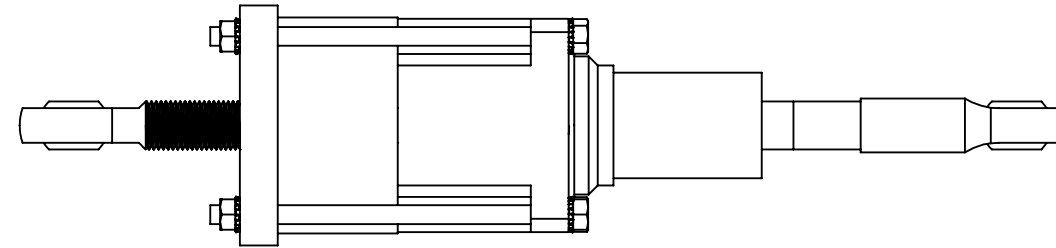
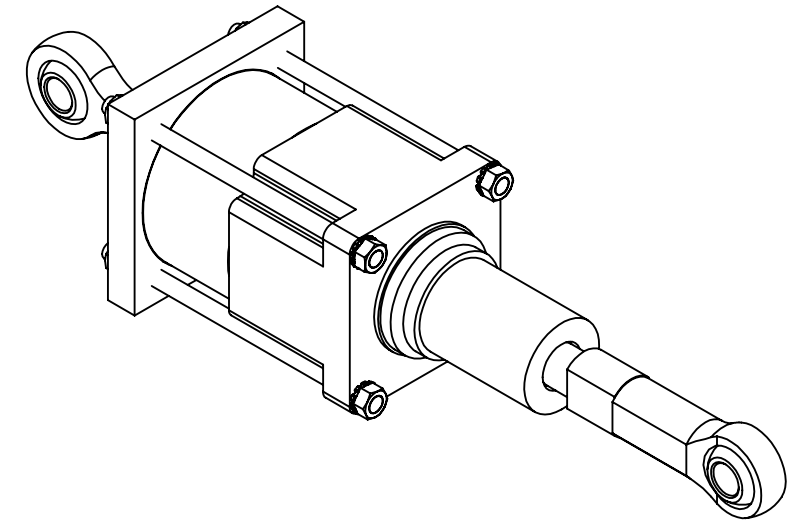
4

3

2

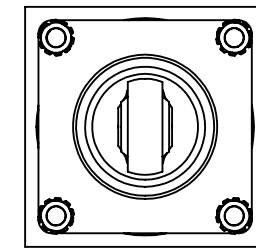
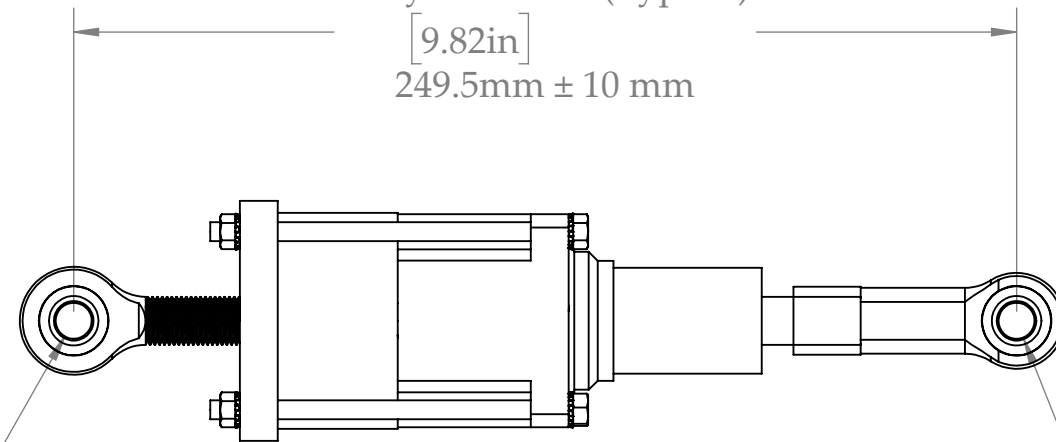
1

For reference only, subject to change without notice



Fully Retracted (Typical)

[9.82in]
249.5mm ± 10 mm



[.38in]
Ø 9.5mm

[.41in]
Ø 10.5mm

PROPRIETARY AND CONFIDENTIAL NOTICE
ALL INFORMATION ON THIS SHEET IS THE SOLE PROPERTY OF
Roll-2-Roll Technologies LLC.
All Rights Reserved. © Copyright 2023.



UNLESS OTHERWISE SPECIFIED:

ALL DIMENSIONS ARE IN MM

TOLERANCES UNLESS NOTED:

INCH MILLIMETER

X.X ± 0.030 X.X ± 1

X.XX ± 0.015 X.XX ± 0.5

X.XXX ± 0.005 X.XXX ± 0.25

THIRD ANGLE PROJECTION

DO NOT SCALE DRAWING

	NAME	DATE
DRAWN	AS	20-JUL-21
CHECKED		
ENG APPR.		
MFG APPR.		
Q.A.		
COMMENTS:		

Roll-2-Roll Technologies
Website: <https://r2r.tech>
Phone: +1-888-290-3215
Email: engineering@r2r.tech

TITLE: LHS-xxx-0150-WG
 Custom Actuator: 38.1 mm (1.5 in)

SIZE	DWG. NO.	REV
B	LHS-xxx-0150-WG	

SCALE: 1:2 WEIGHT: SHEET 1 OF 1

8

7

6

5

4

3

2

1

D

D

C

C

B

B

A

A