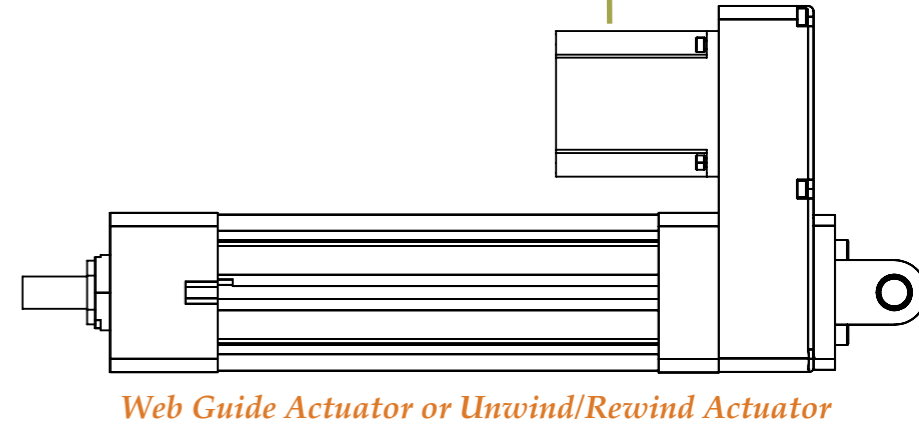
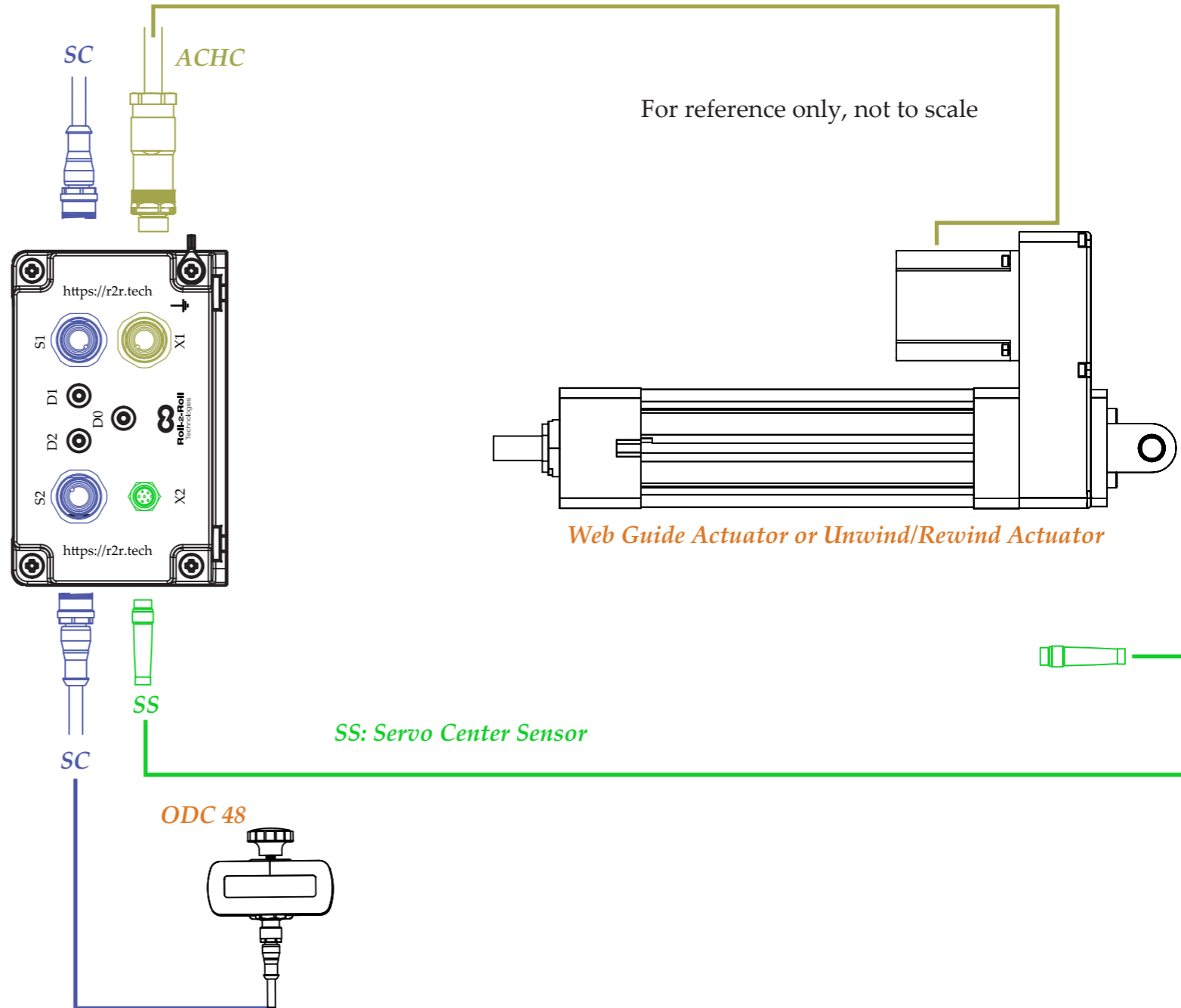
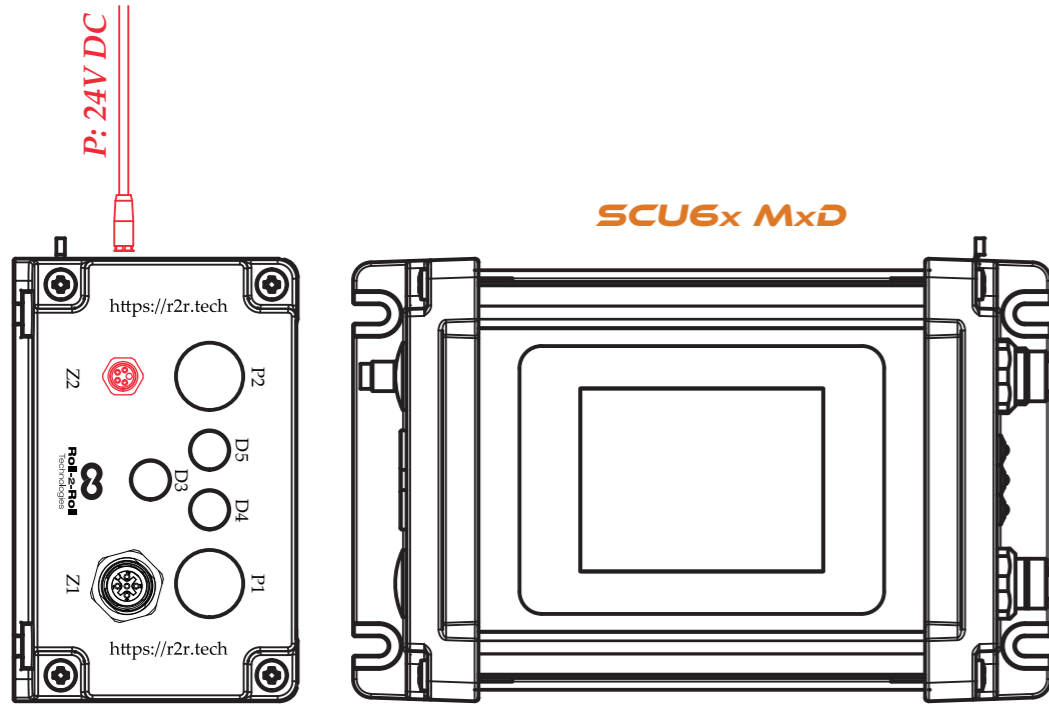


ACHC: Actuator Cable High Current

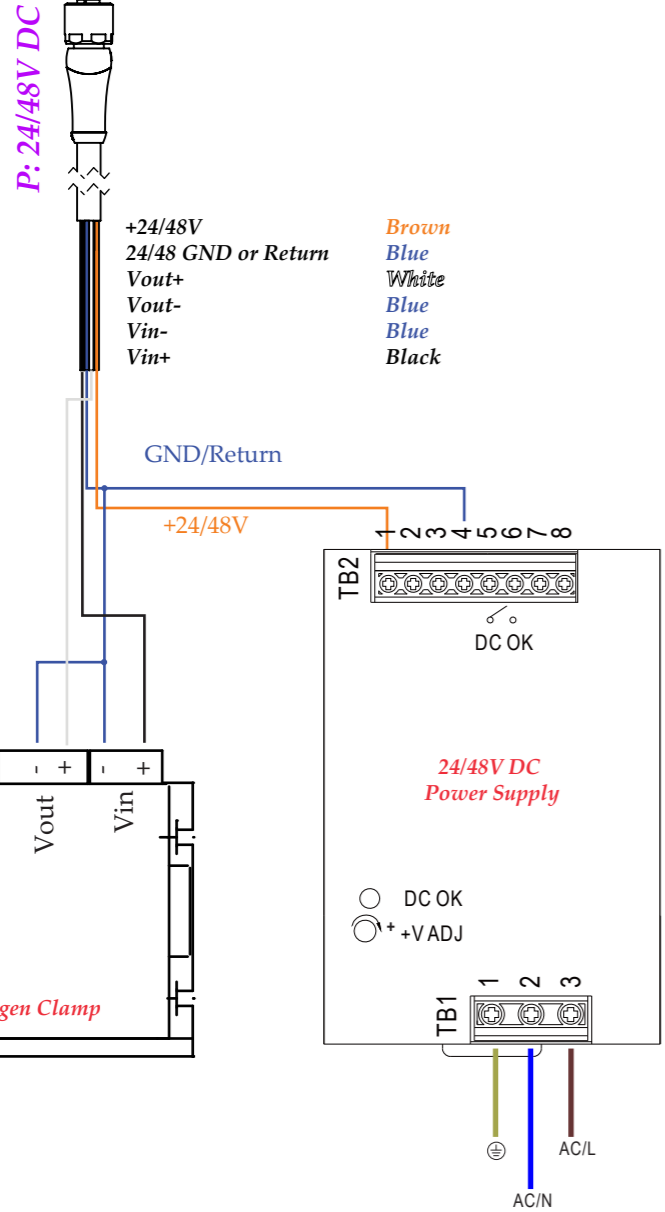
For reference only, not to scale



Web Guide Actuator or Unwind/Rewind Actuator

SS: Servo Center Sensor

ODC 48



- Brown +24/48V
- Blue 24/48 GND or Return
- White Vout+
- Blue Vout-
- Blue Vin-
- Black Vin+

- ACHC: Actuator Cable High Current
- M12 4-pin T-coded Male and Female cordset
- SS: Servo Center Sensor
- M8 6-pin Female to Inductive Proximity Sensor
- SC: Quick Disconnect Sensor Cable
- M12 12-pin shielded cable Male and Female cordset
- P: 24 V DC Input Power Cable
- DC Power Connector 2.5mm tip for 24V DC Power Flying Lead
- PM: 24/48 VDC Driver Power Cable
- M12 4-pin L Coded Male to Flying Lead